

# Bronze Thimble

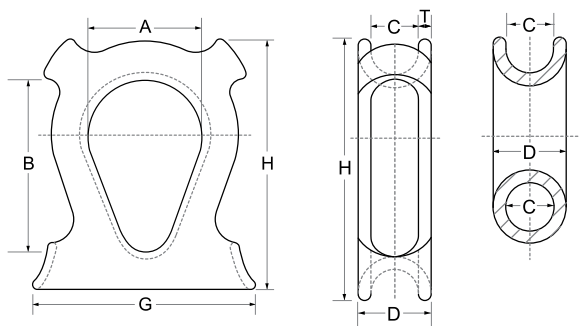
## PRODUCT CODE: 920

Bronze Rope Thimbles are made from a high strength, noncorrosive, nonsparking nickel-aluminum bronze alloy; ideal for marine applications. This rope thimble was developed primarily for use with nylon, manila, polypropylene, and polyvinyl chloride ropes. Four rings, or "keepers", secure the rope from jumping out of the thimble. Eighteen sizes are available in rope diameter sizes from 3/8" to 3-3/4".



SIZE DESIGNATION Rope Diameter	SIZE DESIGNATION Rope Diameter	Shackle Size INCHES	A INCHES	B INCHES	C INCHES	D INCHES	G INCHES	H INCHES	T INCHES	Weight POUNDS	Weight KILOGRAMS
3/8"-7/16"	9-11 mm	3/8"	7/8"	1-1/2"	9/16"	15/16"	2-1/4"	2-9/16"	3/16"	0.62 lb	0.28 kg
1/2"-9/16"	12-14 mm	3/8"	1"	1-5/8"	11/16"	1-1/16"	2-1/2"	2-29/32"	3/16"	0.91 lb	0.41 kg
5/8"-3/4"	16-18 mm	1/2"	1-1/8"	2"	7/8"	1-1/4"	3-1/4"	3-1/2"	3/16"	1.2 lb	0.54 kg
13/16"-15/16"	20-23 mm	5/8"	1-1/4"	2-5/16"	1-1/16"	1-7/16"	3-7/8"	3-29/32"	3/16"	1.6 lb	0.73 kg
1"	24 mm	3/4"	1-5/8"	2-3/4"	1-3/16"	1-9/16"	4-1/4"	4-11/16"	3/16"	2.1 lb	0.95 kg
1-1/8"-1-1/4"	28-30 mm	7/8"	1-7/8"	3-3/16"	1-7/16"	1-27/32"	5-1/16"	5-3/16"	13/64"	2.6 lb	0.95 kg
1-5/16"	32 mm	7/8"	2-1/8"	3-5/8"	1-1/2"	1-15/16"	5-1/2"	5-13/16"	7/32"	2.6 lb	1.2 kg
1-1/2"	36 mm	1"	2-3/8"	4-1/16"	1-11/16"	2-5/32"	6-1/4"	6-1/2"	15/64"	3.7 lb	1.7 kg
1-5/8"	40 mm	1-1/8"	2-5/8"	4-1/2"	1-13/16"	2-5/16"	6-3/4"	7-1/16"	1/4"	4.8 lb	2.2 kg
1-3/4"	44 mm	1-1/4"	2-7/8"	4-15/16"	2"	2-17/32"	7-3/8"	7-3/4"	17/64"	6.8 lb	3.1 kg
2"	48 mm	1-1/4"	3-1/8"	5-3/8"	2-1/4"	2-13/16"	8-3/8"	8-5/8"	9/32"	7.7 lb	3.5 kg
2-1/8"	52 mm	1-3/8"	3-1/2"	5-13/16"	2-3/8"	2-31/32"	9"	9-1/8"	19/64"	9.5 lb	4.3 kg
2-1/4"	56 mm	1-1/2"	3-7/8"	6-1/4"	2-1/2"	3-1/8"	9-3/8"	9-5/8"	5/16"	11.0 lb	5.0 kg
2-5/8"	64 mm	1-5/8"	4-3/8"	7"	2-7/8"	3-5/8"	10-5/8"	10-3/4"	3/8"	16.5 lb	7.5 kg
3"	68-70 mm	2"	4-7/8"	8"	3-1/4"	4-1/8"	11-3/4"	12-1/8"	7/16"	25.0 lb	11.3 kg
3-1/4"	72-80 mm	2"	5-3/8"	9-1/4"	3-1/2"	4-1/2"	13-1/8"	13-7/8"	1/2"	38.0 lb	17.2 kg
3-3/4"	92 mm	—	6"	10"	4"	5-3/8"	14-5/8"	15-1/2"	11/64"	60.0 lb	27.2 kg

Not recommended for use with Class II ropes. Dimensions are approximate—within standard foundry practice.



2090 Thornton Street, Ferndale, WA 98248 USA  
 Tel 01.360.384.4669 | Fax 01.360.384.0572  
[www.SamsonRope.com](http://www.SamsonRope.com)